

OptiSheath® Aerial Terminal (SCA) with OptiTap SCA-9T24 Series, 12 OptiTap® Connector adapters, 12 single-fiber pigtails

CORNING

Part Number: SCA-9T24-126CP

Corning OptiSheath® Aerial Terminal, SCA-9T Series is available in two lengths designed for the aerial fiber access network and provides a low-cost solution optimized for optical access architectures.

Designed to install easily on a strand (hanging brackets included). The -LRS (left-right-standard end caps) offers 16 direct splice ports for drops per closure, 8 on each end cap. The OptiTap® version of the 9T series supports up to 12 OptiTap® Connector Single-Fiber Drop Cable Assembly ports. Ports one through six are on the right end cap, and ports seven through twelve are on the left end cap. The closure has six express ports per end cap.

The 24-inch terminal allows up to 7 feet of slack storage, and the 34-inch allows up to 12. It will accommodate up to 3 trays. Each closure comes with 1 SCF-ST-126 splice tray. The 24-inch terminal has a max capacity of 72F splices for single fiber or 144F if splicing ribbons. The 34-inch has a max capacity of 144F or 216F if using the SCF-ST-077 tray. Corning 144 fiber cables or those with large central strength members (>4mm OD), require part no. SCF-MBR-CMS.

Features and Benefits

Design includes aerial hanging brackets

Easy installation

Quick release clamps

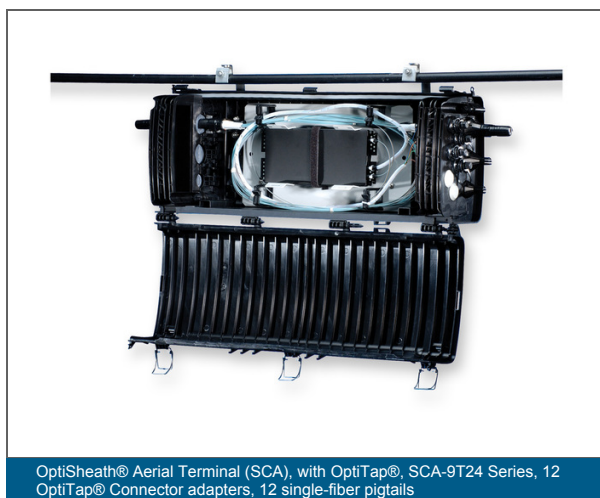
Easy terminal re-entry

Individual strain-relief

Fiber protection and continuity

Cable sealing and reusable gel seals

Environmental protection



OptiSheath® Aerial Terminal (SCA) with OptiTap SCA-9T24 Series, 12 OptiTap® Connector adapters, 12 single-fiber pigtails



Specifications

General Specifications	
Application	Carrier Networks, CATV Environments, Fiber to the Premises
Mounting Type	Strand
Product Type	FOH Closures

Standards	
RoHS	Free of hazardous substances according to RoHS 2011/65/EU
Approvals and Listings	Meets Telcordia TR TSY-000949 and GR-771 CORE requirements
Compliance	Not Available

Design	
Closure Shape	Cuboidal
Closure Type	Free-Breathing, Butt, In-line
Distribution Port Count	12
Max number of trays	3
Maximum splice fiber capacity	72 Single-Fiber / 144 Mass Fusion
Number of Drop Adapters	12
Number of OptiTap Connectors	12
Number of Splice Trays Preloaded	1
Pigtail Class	Single fiber (900 μm)
Sealing Type	Gel
Adapter Type	OptiTap®

Design - Connector	
Connector Type	SC

OptiSheath® Aerial Terminal (SCA) with OptiTap SCA-9T24 Series, 12 OptiTap® Connector adapters, 12 single-fiber pigtails



Dimensions	
Length	622.3 mm (24.5 in)
Width	228.6 mm (9 in)
Depth	158.8 mm (6.25 in)

Ordering Information	
Product Number	SCA-9T24-126CP
Package Contents	1 SCA Closure; 1 Splice Tray; 1 Strain relief hardware kit; 2 Hanging brackets, Pigtail Kit
Units per Delivery	1/1



Corning Optical Communications LLC • 4200 Corning Place • Charlotte, NC • 28216 • United States
800-743-2675 • FAX: 828-325-5060 • International: +1-828-901-5000 • www.corning.com/opcomm

A complete listing of the trademarks of Corning Optical Communications is available at www.corning.com/opcomm/trademarks. All other trademarks are the properties of their respective owners. Corning Optical Communications is ISO 9001 certified. © 2026 Corning Optical Communications. All rights reserved.